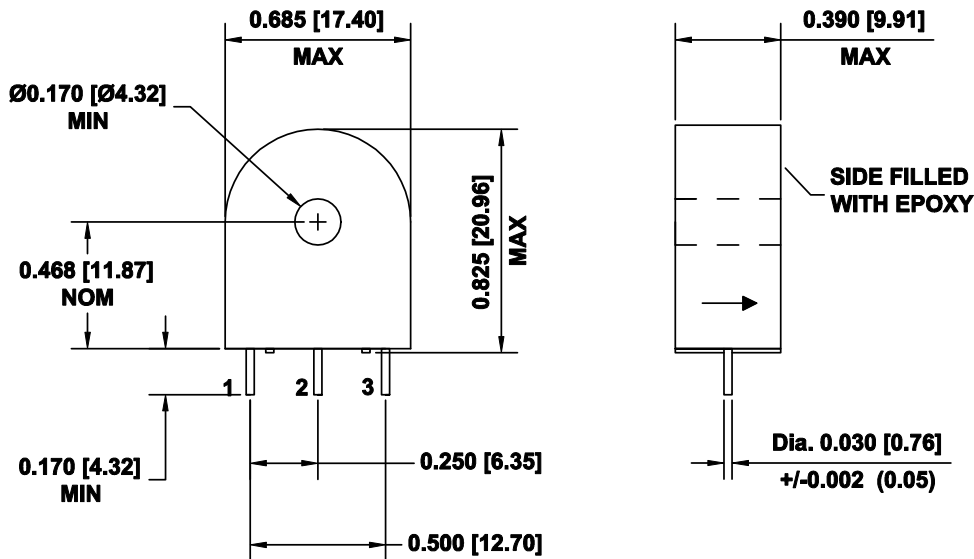


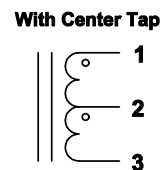
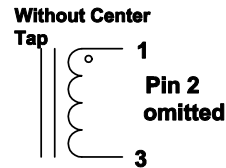
Current Sense Transformers

CSI SERIES WITHOUT PRIMARY TURN

- Designed for switching power supply applications.
- Frequency range of 20 KHz and higher.
- Minimum material thickness from hole I.D to coil is 0.50mm.
- Molded construction with through-hole for primary lead.



SCHEMATIC



MODEL NUMBER	SECONDARY TURNS	MINIMUM SECONDARY INDUCTANCE mH	I PEAK A
CSI-0050	50	5.0	20
CSI-0100	100	20.0	20
CSI-0200	200	80.0	20
CSI-0050-CT	50 CT	5.0	20
CSI-0100-CT	100 CT	20.0	20
CSI-0200-CT	200 CT	80.0	20
CSI-0300-CT	300 CT	180.0	20