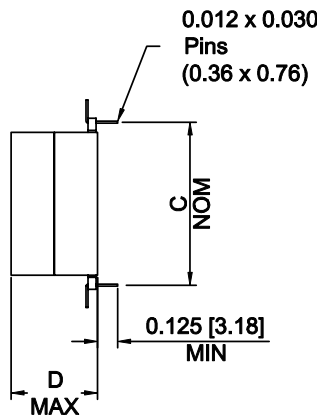
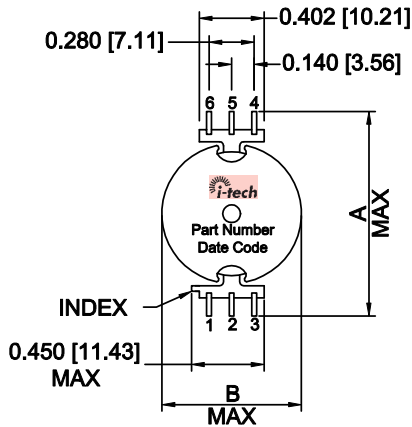


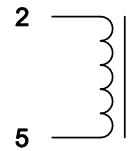
Toroidal and Pot Core Inductors

415 SERIES POT CORE INDUCTOR

- Inductors from 47 μH to 2200 μH .
- Current ratings from 0.42 A to 3 A.
- High Inductance to space ratio.
- Low heat and noise (EMI/RFI) emission.
- Meets UL Class B (130°C) requirements.



SCHEMATIC



MODEL NUMBER	REFERENCE OPERATING VALUES			DESIGN CONTROL VALUES		DIMENSIONS +/- 0.030 (0.76)			
	INDUCANCE VALUE (μH)	MINIMUM ET ($\text{V}\mu\text{s}$)	RATED CURRENT (Adc)	INDUCTANCE NO DC +/- 20% (μH)*	MAXIMUM DCR (Ohm)	A In. (mm)	B In. (mm)	C In. (mm)	D In. (mm)
415-0922	220	90	1.30	220	0.070	1.150 (29.51)	0.725 (18.42)	0.850 (21.59)	0.430 (10.92)
415-0926	330	90	1.00	330	0.110	1.150	0.725	0.850	0.430
415-0927	470	90	0.95	470	0.130	1.150	0.725	0.850	0.430
415-0928	680	90	0.62	680	0.175	1.150	0.725	0.850	0.430
415-0932	47	90	3.00	47	0.022	1.150	0.725	0.850	0.430
415-0945	2200	250	0.42	2200	0.900	1.150	0.725	0.850	0.430
415-0930	100	90	3.00	100	0.035	1.287 (32.69)	0.880 (22.00)	0.990 (25.15)	0.536 (13.76)
415-0931	68	90	3.00	68	0.025	1.287	0.880	0.990	0.536
415-0933	1500	250	0.62	1500	0.260	1.287	0.880	0.990	0.536
415-0934	1000	250	0.90	1000	0.250	1.287	0.880	0.990	0.536
415-0935	680	250	1.30	680	0.280	1.287	0.880	0.990	0.536
415-0936	150	250	3.00	150	0.052	1.287	0.880	0.990	0.536
415-0953	150	90	2.00	150	0.040	1.287	0.880	0.990	0.536
430-0634	470	250	1.90	470	0.058	1.750 (44.45)	1.220 (30.99)	1.414 (35.92)	0.790 (20.07)
430-0635	330	250	3.00	330	0.065	1.750	1.220	1.414	0.790
430-0636	220	250	3.00	220	0.040	1.750	1.220	1.414	0.790

Note: Originally designed for use with National Semiconductor's Simple Switchers Step-Down Voltage Regulator Series: LM1575-XX/LM2575-XX and LM1577-XX/LM2577-XX.